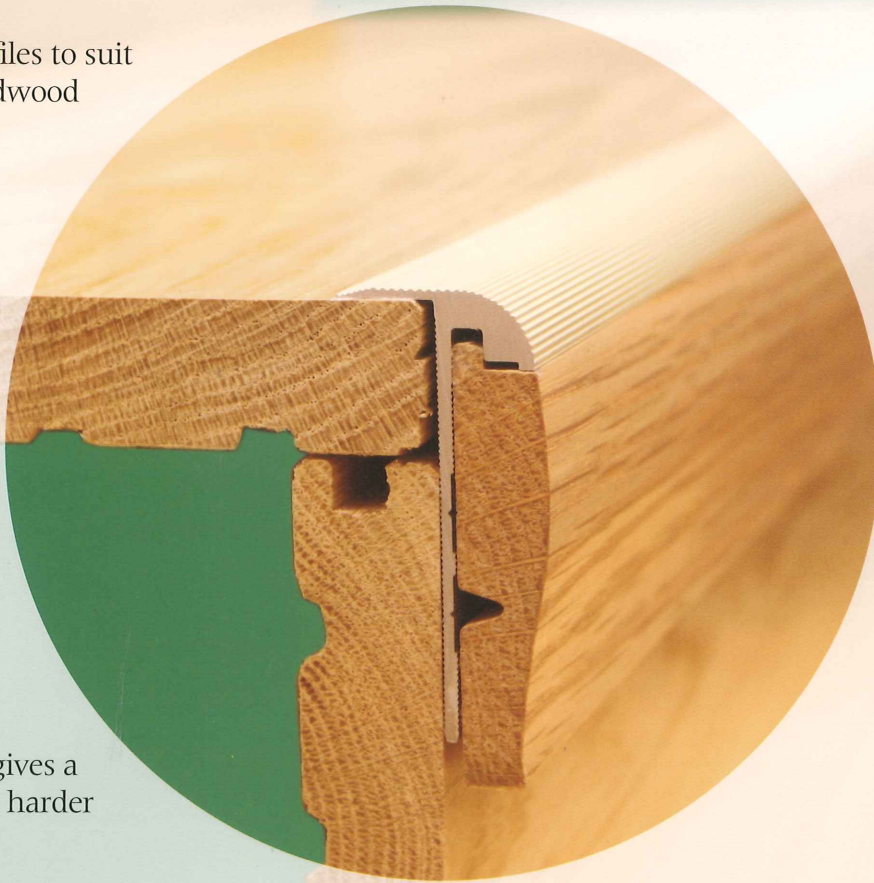


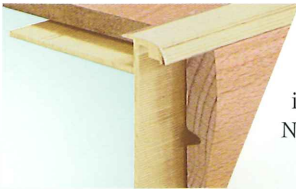
TREFIX®

STAIRCASE RENOVATION SYSTEMS

- The TREFIX® system is a patented aluminium stair nosing (gold or silver colour) for easy installation of hard floors.
- Five different profiles to suit most types of hardwood flooring, laminate flooring, PVC, linoleum, carpets and much more.
- Available in two different lengths for commercial and domestic installations.
- Three solid wood edgings to compliment the flooring.
- Trefix saves installation time, gives a better finish and a harder wearing surface.



1 TREFIX 8mm Profile



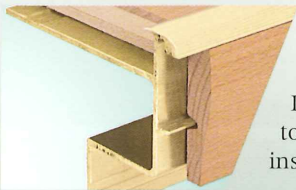
Designed to fit 8mm laminate or carpet. This Trefix profile can be upgraded with the vertical installation of a wood insert (see No.6).

4 TREFIX Duo 15/15 Profile



This Trefix Model has been specially developed for 15mm flooring. Flooring rebates in horizontally and vertically giving a very neat and easy installation.

2 TREFIX Profi 15mm Profile



A specially designed profile for expanding the depth of tread and also for bull nose steps. Designed for 15mm flooring and to be complimented with a wood insert (see No.6).

5 TREFIX Vario Profile



The Trefix Vario is suitable for all flooring heights from 0-22mm. To be used with wood inserts (see below).

3 TREFIX Universal Profile



This profile is perfect for commercial applications, manufactured with pre-drilled holes on the top and side. Adapts to suit all flooring heights from 0 - 22mm. To be used with wood inserts (see No.6).

6 Solid Wood Inserts

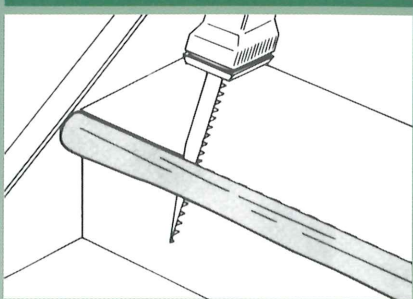


These inserts are to be glued with a recommended adhesive in front of a Trefix profile to provide a solid wood appearance. Available in Prefinished Oak, Beech and Maple. Not suitable for Trefix Duo 15/15 Profile.

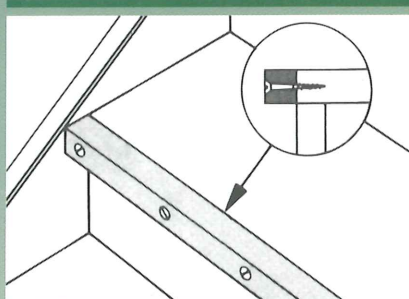


TRE-FIX[®] installation guide

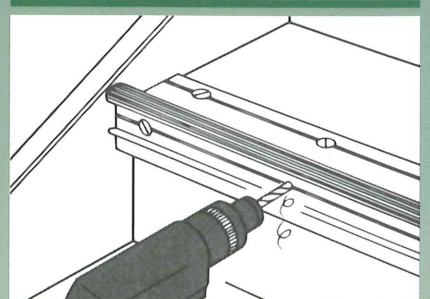
STAIRCASE RENOVATION SYSTEMS



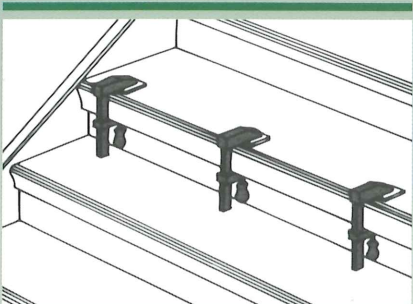
1 Preparation
First remove the old surface from your stairs. If your stair nosing is already worn out and thus not usable anymore, simply remove (see picture). If it is still in good shape move on to section three.



2 Preparation
After having cut off the stair nosing, attach a new rectangular moulding (20-30mm) wide. Use 60mm long screws every 15cm of the stair to apply the moulding.



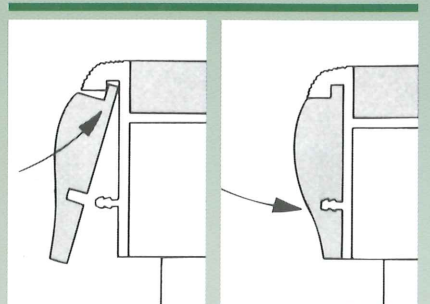
3 Attaching
Attach the Trefix aluminium profile to your stair. Use 40mm long screws to apply it both ways: Horizontally and vertically. (Some mouldings will need to be pre-drilled before hand as shown in the picture above).



4 Horizontal tread
Cut the new horizontal tread e.g. pvc, carpet, laminate or hardwood flooring to the correct dimensions and attach with a recommended glue. Use clamps if necessary.

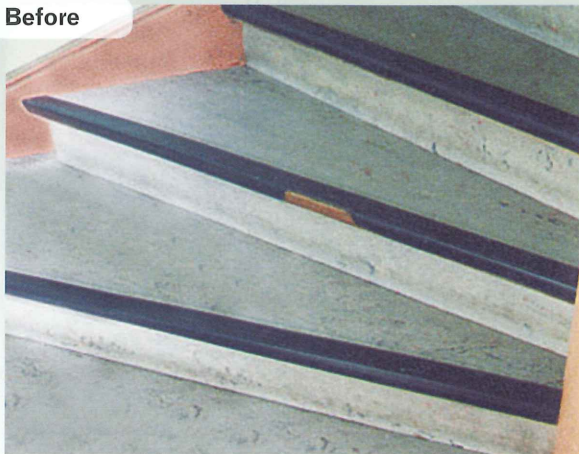


5 Vertical Tread
Cut the vertical tread from the same material, e.g. pvc, carpet, laminate or hardwood flooring and fit it below or inside the Trefix profile. Use a recommended glue to attach it. Note that some Trefix models require our wood inserts (see section six).



6 Wood insert
Click the solid wood insert as depicted into the Trefix aluminium profile. Use glue to attach it securely.

Before



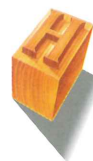
After



TRE-FIX
STAIRCASE RENOVATION SYSTEMS

your staircase as good as new

Exclusively distributed by:



Haywoods

ACCESSORIES

Leach Place, Walton Summit, Preston, Lancs PR5 8AS

CALL SALES ON 01772 696600 FOR PRICES AND SAMPLES